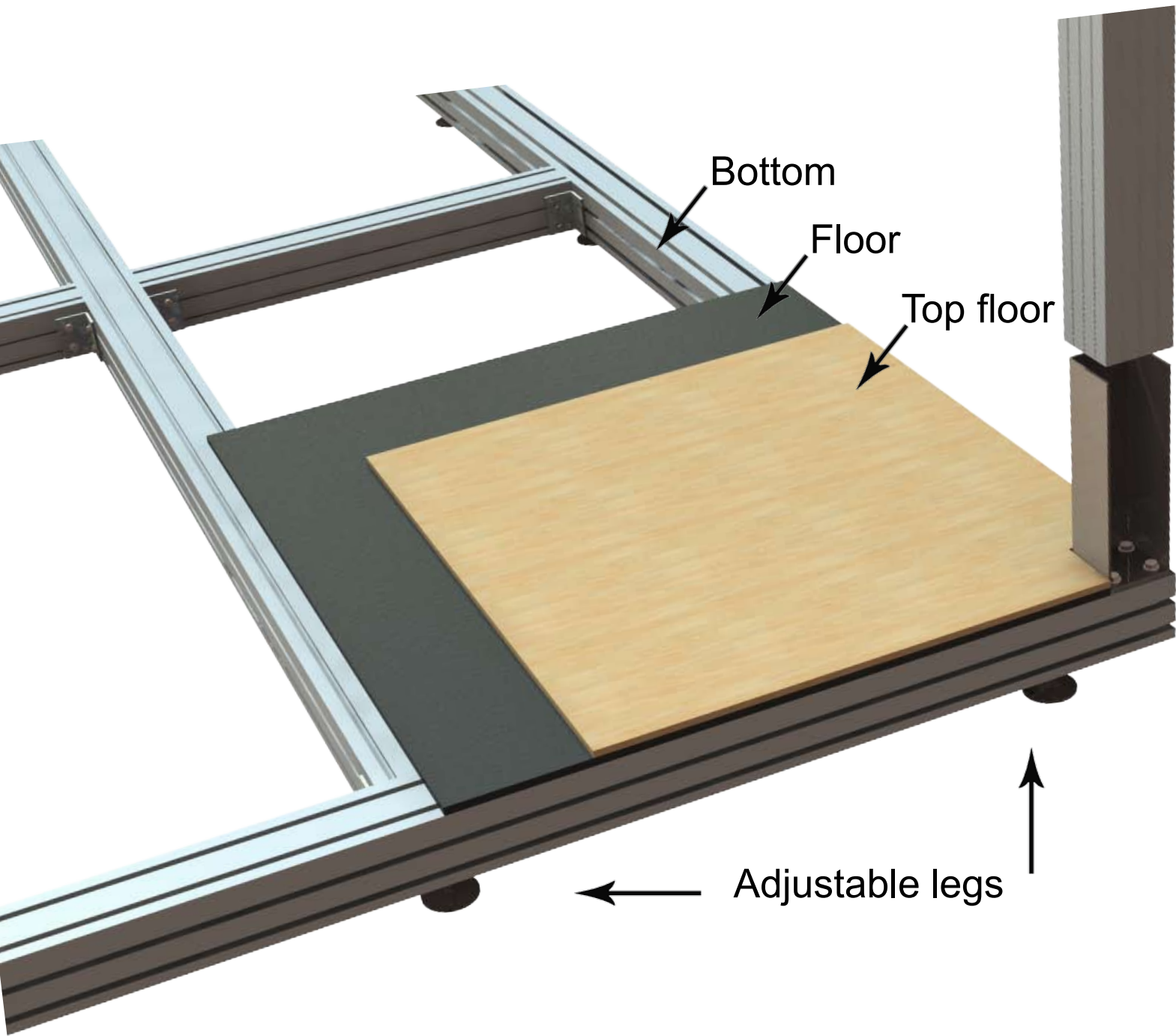
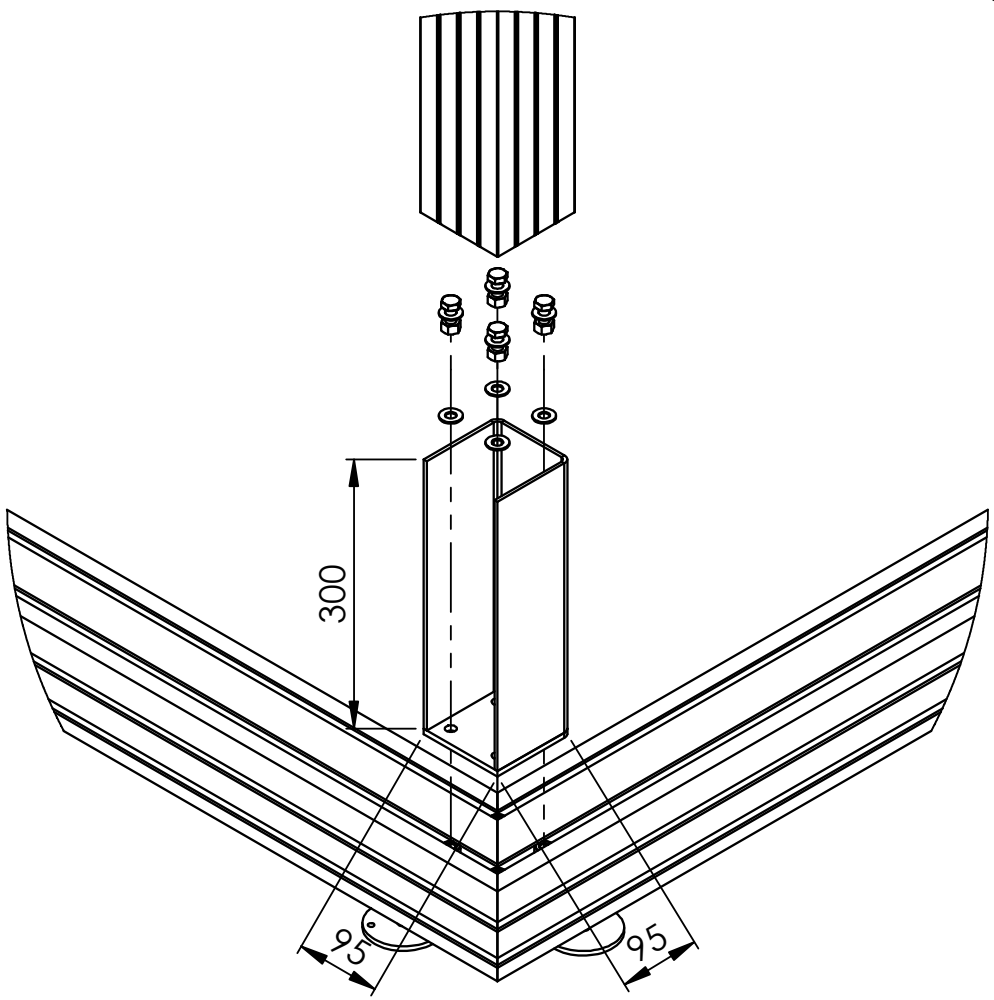
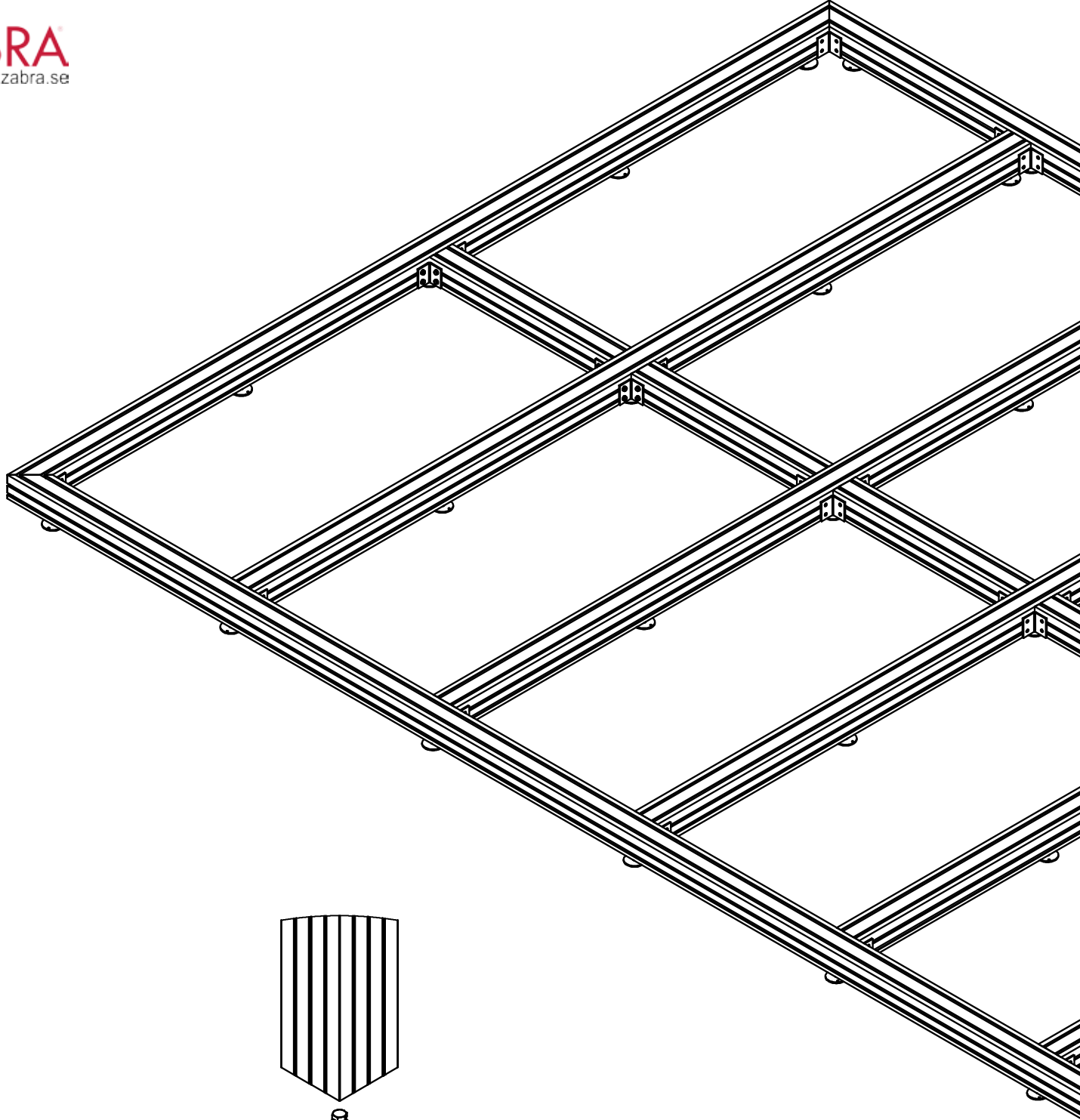


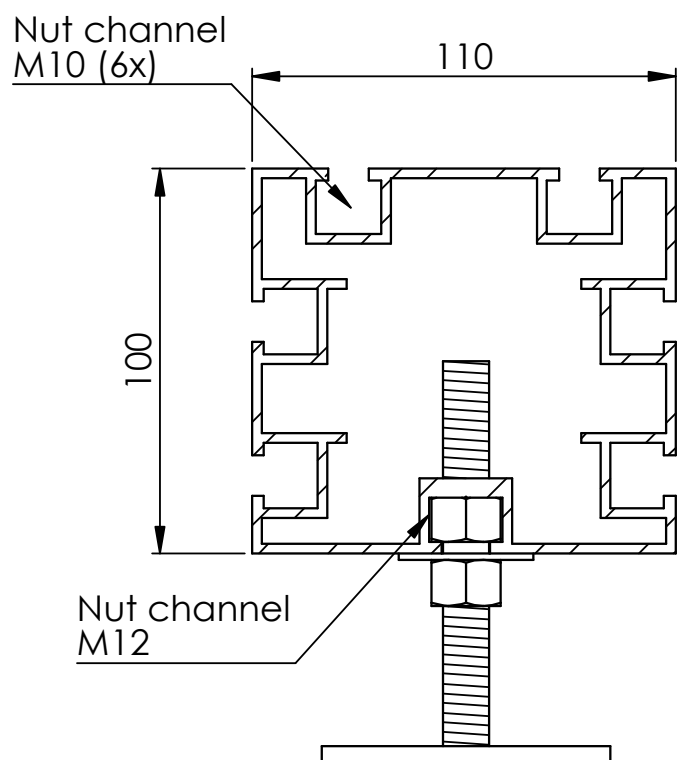
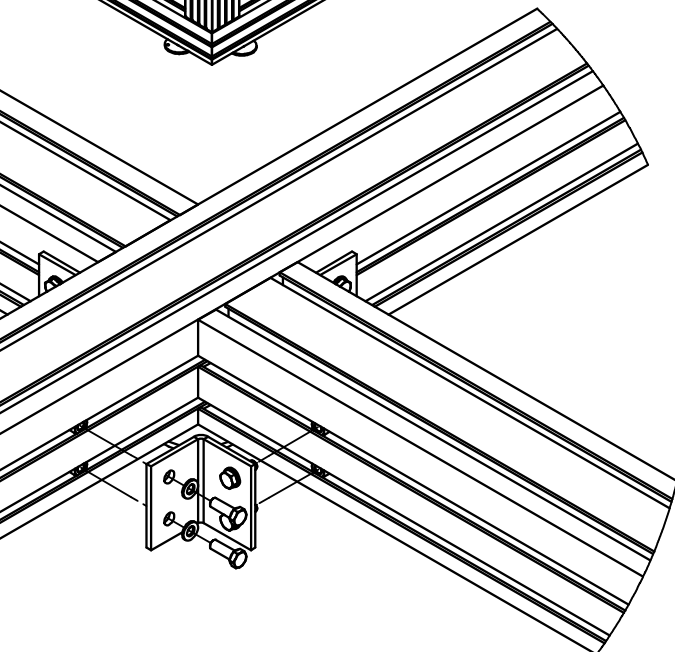
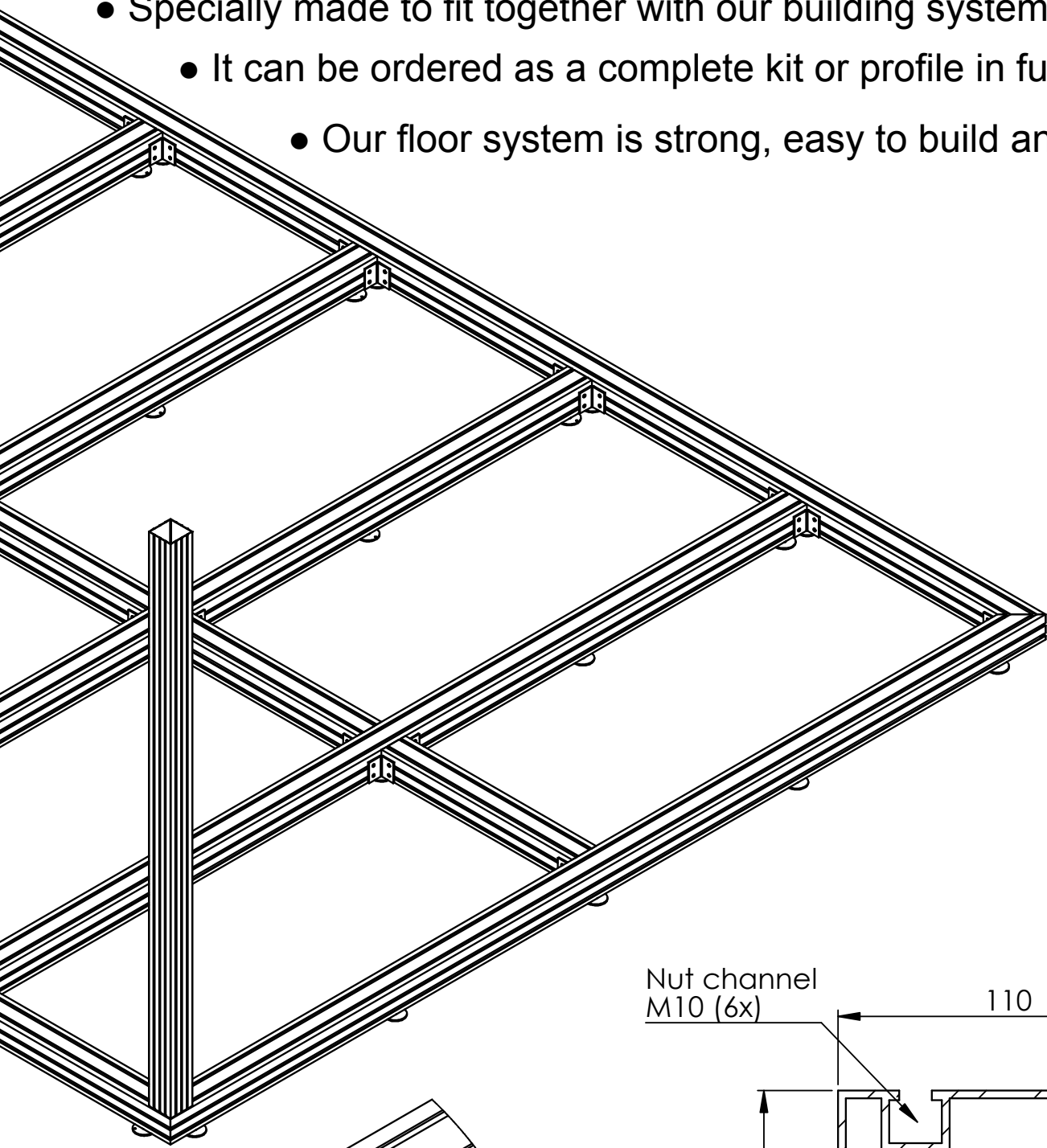
## Floor system.



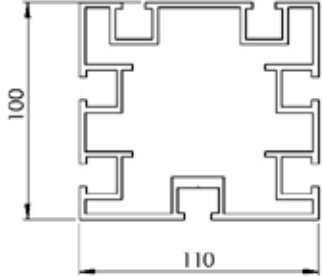
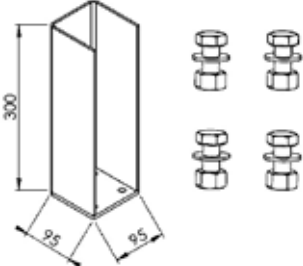
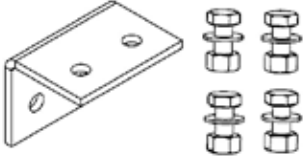
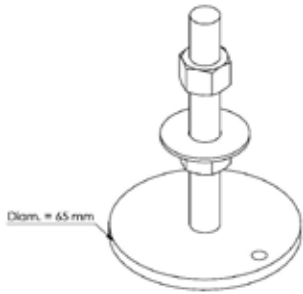
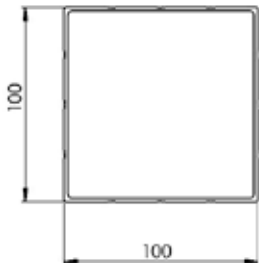
Easy to mount and adjust.





- Specially made to fit together with our building system ZABRA.
- It can be ordered as a complete kit or profile in full-length.
- Our floor system is strong, easy to build and adjust.



|  <b>Produkt</b>   | <b>Article</b>  | <b>Article</b> |  <b>Product</b>  |
|---|---|----------------|---|
| <b>Grundrahmenprofil</b><br>Masse: 110 x 100mm (b x h)<br>Länge des profils = 6m  |    | 700-104        | <b>Bottom Frame</b><br>Dim. 110 x 100mm (w x h)<br>Profile length = 6m  |
| <b>Bodenbefestigung Pfeiler</b><br>Masse: 95 x 95mm (b x t)<br>Höhe = 300mm<br>Inkl. 4 stk M10-Schrauben, Muttern und U-scheiben              |    | 700-028-3      | <b>Post Bracket</b><br>Dim. 95 x 95mm (w x d)<br>Height of consol = 300mm<br>Inclusive 4 psc. M10 screws with nuts and plates.              |
| <b>Winkelbefestigung</b><br>Masse: 60 x 60 x 5mm<br>Länge: = 80mm<br>Inkl. 4 stk M10-Schrauben, Muttern und U-scheiben                        |  | 700-164        | <b>Angle Bracket</b><br>L = 60 x 60 x 5mm<br>Bracket length = 80mm<br>Inclusive 4 psc. M10 screws with nuts and plates.                     |
| <b>Höhenverstellung, M 12</b><br>Durchmesser: = 65mm<br>Einstellbar von 0 - 100mm<br>Gewinde: M 12<br>Inkl. 2 stk M12 Muttern und 1 U-scheibe |  | 700-179        | <b>High Adjustment, M12</b><br>Bottom diameter = 65mm<br>Adjustable from 0 - 100mm<br>Thread = M12<br>Inclusive 2 psc. M12 nuts and 1 plate |
| <b>Zabra Pfeiler</b><br>Masse: 100 x 100mm (b x h)<br>Länge des Profils = 5m  |  | 700-130        | <b>Zabra Post</b><br>Dim. 100 x 100mm (w x h)<br>Profile length = 5m  |

Dealer: